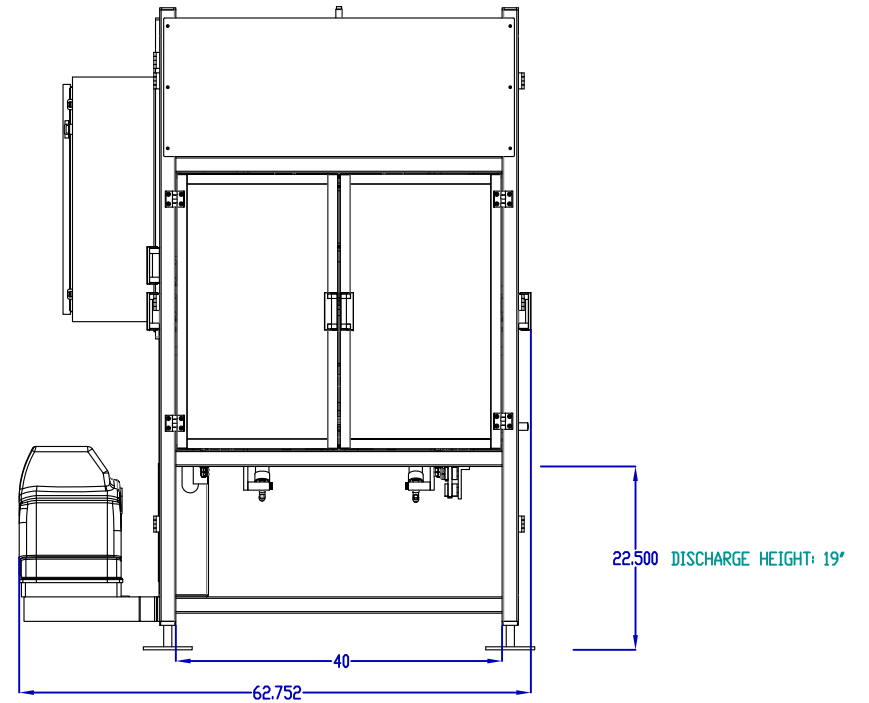
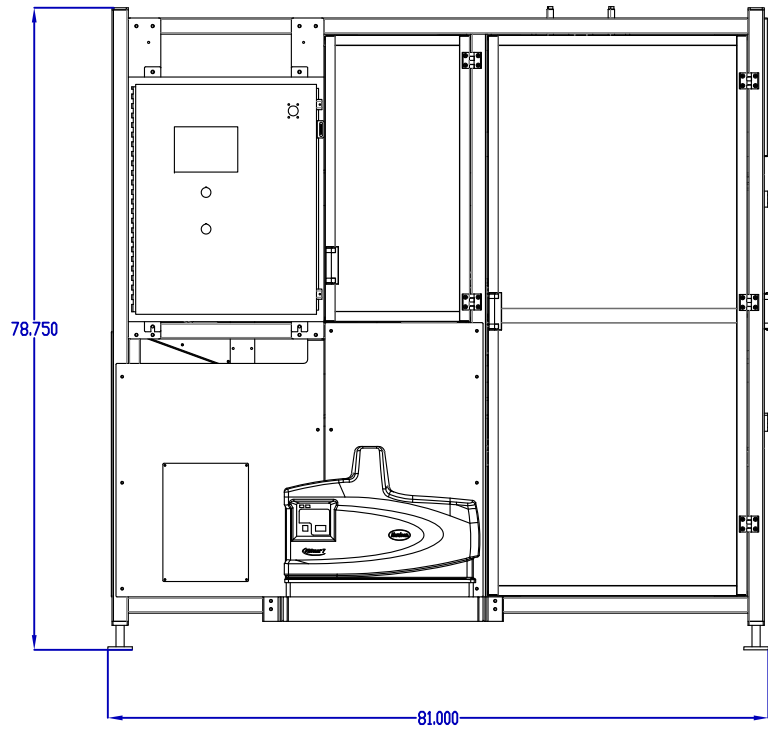
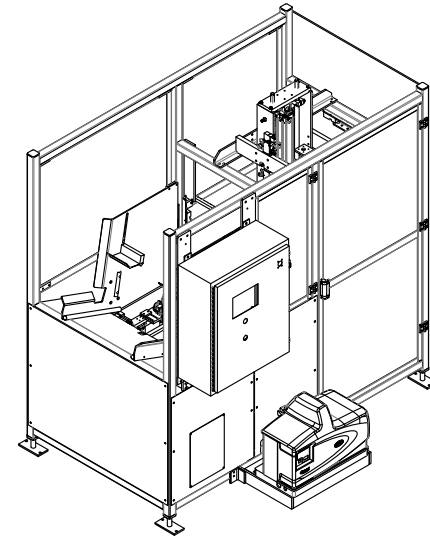
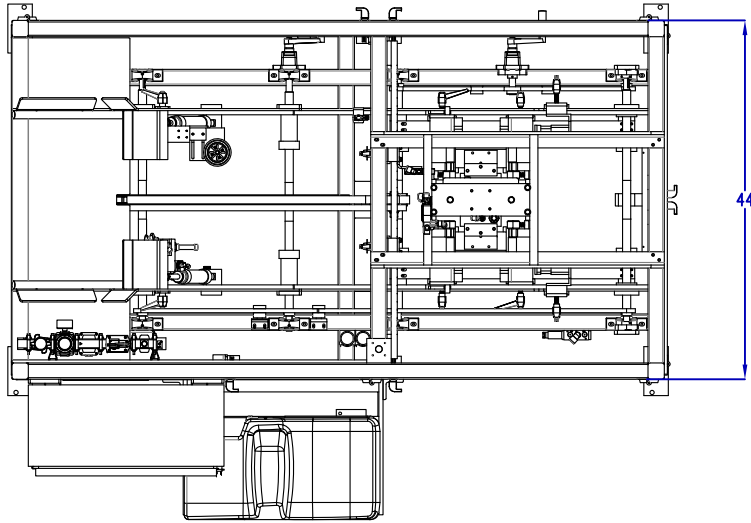


IPAK TF-100 (2015) TRAY FORMER



WEXXAR Packaging Inc.

#1-14211 BURROWS ROAD, RICHMOND, BC, V6V 1K9
PHONE (604) 930-9300 FAX (604) 270-7897
WWW.WEXXAR.COM